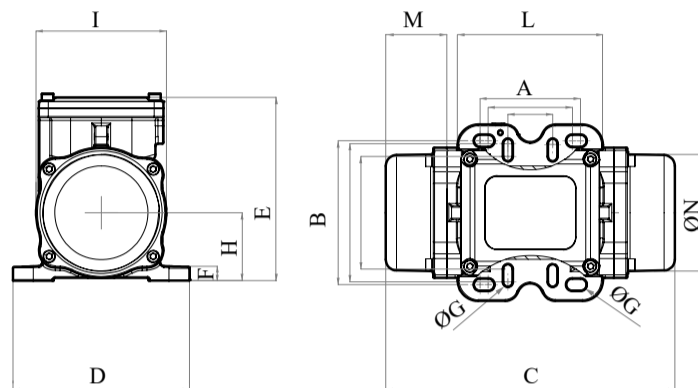




MVE 290/6N-HF-10A0 (EN40029010A0AA0000)

3 PH - 4 poles - 6000 RPM - 42 V [Y] - 200 Hz

Working moment [Kg*cm]	Unbalance [Kg*cm]	Centrifugal force [Kg]	Nominal voltage [V]	Input power [kW]	Current [A]	Power Factor	Ia/In
1,47	0,74	294	42 [Y]	0,27	5	0,73	2



OVERALL DIMENSIONS (mm)																
Weight [Kg]	A	A1	B	B1	G	G1	Holes number	C	D	E	F	H	I	L	M	N
4,6	62-74	33	106	83-102	9	7	4	213	130	135	10,5	50	96	107	45	85

TECHNICAL FEATURES						
Type of grease	Greased for life	Screw	Washer	Clamping torque [Nm]	Cable type	Cable gland
/	Yes	M8-M6	8,4 x 16-6,4 x 12 mm	23-9	3x2.5 80°C	M16 80°C

BEARINGS				
Bearing model	Type	Life 100%	Life 80%	Life 50%
6202 2Z		/	/	/

CERTIFICATION	
Atex II 3D Ex tc IIIc Tx IP66 [Tx Size 10-30:100°C - Tx Size 40-91:135°C] T.Amb -20/+40°C	