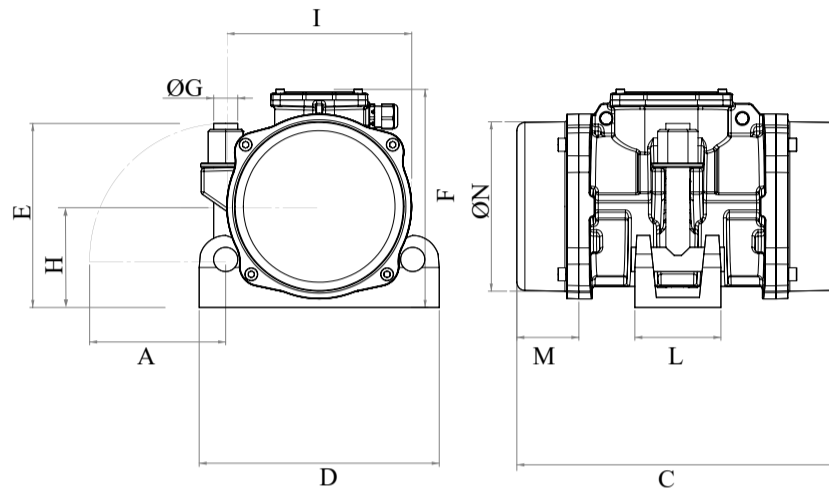




# MVE 1300/6N-HC-50A0 (EN20130050A0GA0000)

3 PH - 2 poles - 6000 RPM - 42 V - 100 Hz

Working moment [Kg*cm]	Unbalance [Kg*cm]	Centrifugal force [Kg]	Nominal voltage [V]	Input power [kW]	Current [A]	Power Factor	Ia/In
7,32	3,66	1.474	42	1,3	Δ 23,03	0,77	



OVERALL DIMENSIONS [mm]												
Weight [Kg]	G	Holes number	A	C	D	E	F	H	I	L	M	N
28,6	25	1	136	321	240	184	218	102	185	86	62	170

TECHNICAL FEATURES						
Type of grease	Greased for life	Screw	Washer	Clamping torque [Nm]	Cable type	Cable gland
KLUBER ISOFLEX NB52	Yes	M24	25 x 44 mm	574	3x6 80°C	M25 120°C

BEARINGS				
Bearing model	Type	Life 100%	Life 80%	Life 50%
NJ 306		/	/	/

CERTIFICATION	
Atex II 3D Ex tc IIIc Tx IP66 [Tx Size 10-30:100°C - Tx Size 40-91:135°C] T.Amb -20/+40°C	